

ELIET SPARE PARTS MANUAL

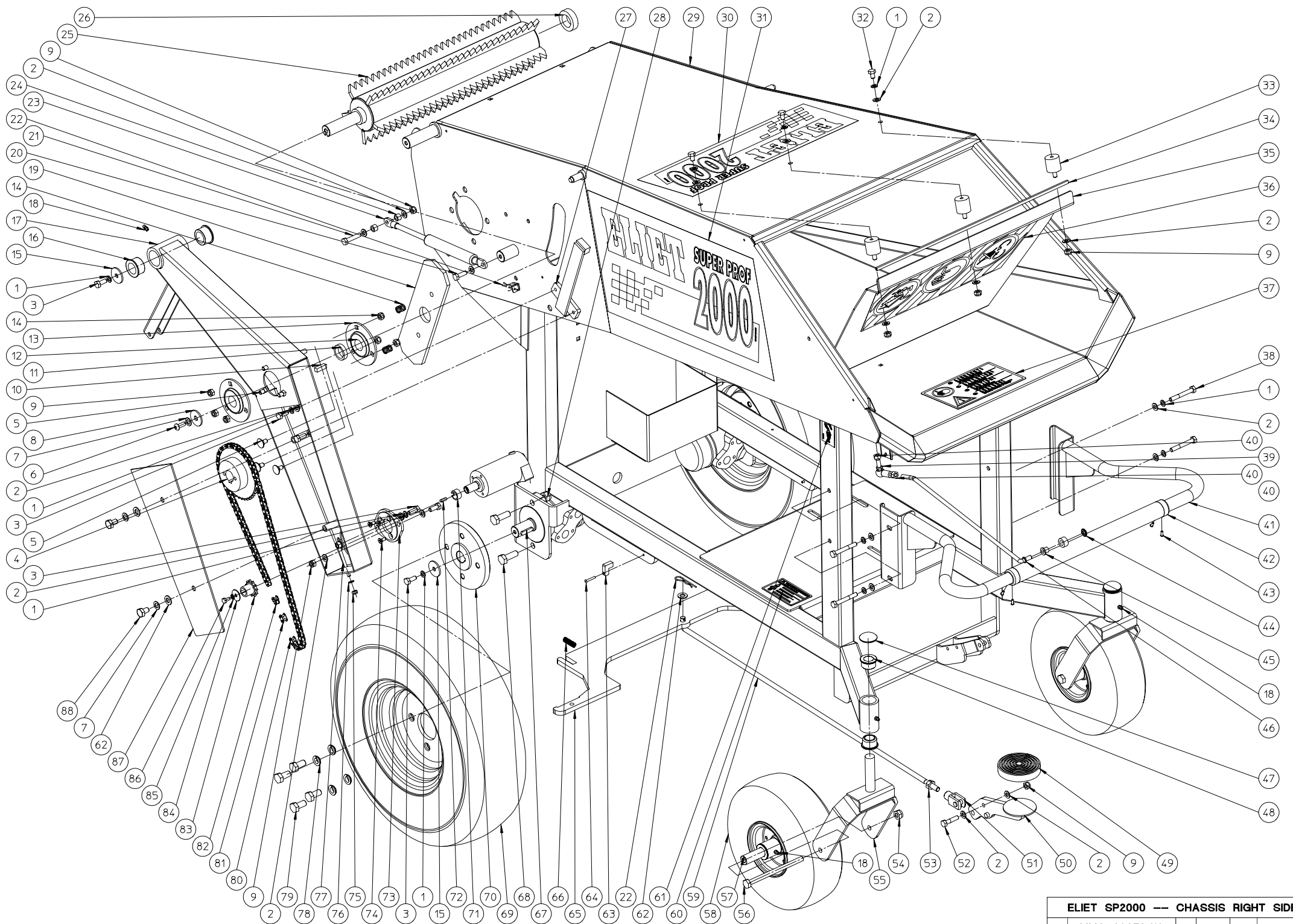
SUPER PROF 2000

OVERVIEW OF EXPLODE VIEW DRAWINGS

| | DRAWING | DESCRIPTION | DRAW. REF. | MODIFIED |
|---|-------------------------|--------------------|-------------------|-----------------|
| 1 | EXPLODED VIEW DRAWING 1 | MACHINE LEFT SIDE | MMA 01 070 110-1 | 9-ott-2003 |
| 2 | EXPLODED VIEW DRAWING 2 | MACHINE RIGHT SIDE | MMA 01 070 120-1 | 9-ott-2003 |
| 3 | EXPLODED VIEW DRAWING 3 | ROTOR | MMA 01 070 130-1 | 9-ott-2003 |
| 4 | EXPLODED VIEW DRAWING 4 | HYDRAULIC SYSTEM | MMA 01 070 140-1 | 9-ott-2003 |
| 5 | EXPLODED VIEW DRAWING 5 | ELECTRICAL SYSTEM | MMA 01 070 150-1 | 9-ott-2003 |

SABRE ITALIA





ELIET SP2000 --- CHASSIS RIGHT SIDE

| NO | MMA-01.070.110 | REV | 1 | DATE | 2003/10/22 |
|----|----------------|-----|---|------|------------|
|----|----------------|-----|---|------|------------|

ELIET PARTS MANUAL

SUPER PROF 2000

ASSEMBLY LIST 1

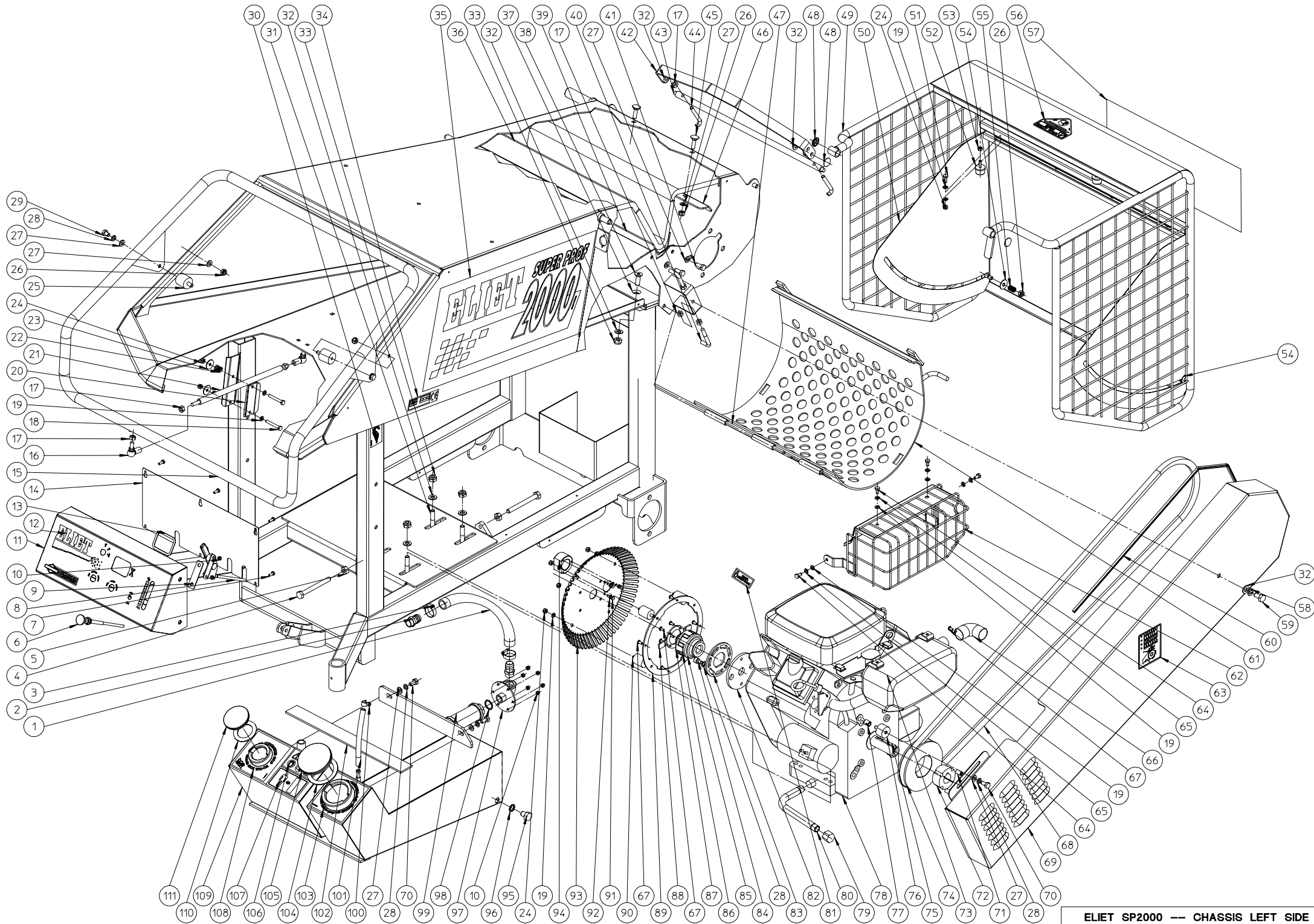
MACHINE LEFT SIDE

MMA 01 070 110-1

| ITEM | PART NUMBER | DESCRIPTION | QUANTITY |
|------|----------------|---|----------|
| 1 | BS 534 000 800 | LOCK WASHER M8 DIN 6798 | 13 |
| 2 | BS 531 000 800 | WASHER M8 DIN 125 | 21 |
| 3 | BS 512 000 820 | BOLT M8X20 DIN 933 | 7 |
| 4 | BA 161 040 251 | SPROCKET SIMPLEX 40 TOOTH | 1 |
| 5 | BS 554 100 816 | BOLT M8X16 DIN 603 | 6 |
| 6 | BS 522 500 820 | BOLT M10X20 DIN 7981 | 1 |
| 7 | BS 534 001 000 | LOCK WASHER M10 DIN 6798 | 3 |
| 8 | BS 532 010 356 | WASHER M10X35X3 | 1 |
| 9 | BS 502 000 800 | SELFLOCKING NUT M8 DIN 985 | 12 |
| 10 | BB 341 080 826 | KEY 8X8X26 DIN 6880 | 1 |
| 11 | MPA 01 070 440 | SPACER | 1 |
| 12 | BL 512 505 203 | BEARING AS 205 | 2 |
| 13 | BL 711 502 500 | STEEL BEARING FLANGE PF 205 | 2 |
| 14 | BV 911 000 010 | SPRING DIA 14 X 2 X 16 | 2 |
| 15 | BS 532 008 356 | WASHER M8X35X3 | 3 |
| 16 | BR 112 262 110 | NYLON RING WITH COLAR (40/35.5/26X2+19) | 2 |
| 17 | MPA 01 070 120 | ARM INFEEDROLLER | 1 |
| 18 | BY 100 106 100 | GREASE FITTING M6 | 5 |
| 19 | BR 910 000 040 | NYLON COVER | 1 |
| 20 | BS 512 000 825 | BOLT M8X25 DIN 933 | 1 |
| 21 | BS 512 000 840 | BOLT M8X40 DIN 933 | 1 |
| 22 | BB 040 102 040 | HAIRPIN COTTER 2MM | 2 |
| 23 | BV 521 010 001 | GAS STRUTS 500N | 1 |
| 24 | MPA 01 070 420 | BUSHING | 2 |
| 25 | MPA 01 070 030 | INFEEDROLLER | 1 |
| 26 | BR 111 291 310 | NYLON SPACING RING 44X28.5X13 | 1 |
| 27 | MPA 01 070 250 | ARM RETAINER | 1 |
| 28 | BS 502 001 200 | NUT M12 DIN 985 | 4 |
| 29 | MDT 01 070 301 | CHASSIS | 1 |
| 30 | BQ 501 070 010 | STICKER ELIET SP 2000 470X220 | 1 |
| 31 | BQ 501 070 020 | STICKER ELIET SP 2000 640X280 | 1 |
| 32 | BS 512 000 812 | BOLT M8X12 DIN 933 | 3 |

| | | | |
|----|----------------|--|---|
| 33 | BR 600 130 301 | RUBBER ANTIVIBRATION BLOCK 30X30 M8X16 | 3 |
| 34 | BR 000 910 530 | RUBBER EDGING | 1 |
| 35 | MPA 01 070 170 | ANTI PROJECTION SHIELD | 1 |
| 36 | BQ 505 010 100 | SAFETY STICKER 460X200 | 1 |
| 37 | BQ 505 010 110 | SAFETY STICKER 190X125 (INFEED) | 1 |
| 38 | BS 511 000 844 | BOLT M8X60 DIN 931 | 4 |
| 39 | BA 230 010 800 | BALL JOINT M8 | 1 |
| 40 | BS 501 000 800 | NUT M8 DIN 934 | 2 |
| 41 | MPA 01 070 060 | PUSH BRACKET | 1 |
| 42 | BR 001 001 001 | BUSHING | 2 |
| 43 | BB 221 104 100 | STEEL PLUG 3.9 X 10 DIN 7337 | 4 |
| 44 | BB 011 000 080 | STARLOCK 8MM | 1 |
| 45 | BR 112 081 300 | NYLON BUSHING (16X11X8X2+11) | 1 |
| 46 | MPA 01 070 380 | ROD | 1 |
| 47 | BB 011 000 200 | STARLOCK 20MM | 2 |
| 48 | BR 112 201 910 | NYLON BEARING (35/30/20.5X2.5+16.5) | 6 |
| 49 | BR 900 000 110 | RUBBER SOCK 90X18MM | 1 |
| 50 | MPA 01 070 130 | BRAKE PEDAL | 1 |
| 51 | BS 556 001 000 | FORK M10X20 DIN71752 | 1 |
| 52 | BS 511 000 835 | BOLT M8X35 DIN 931 | 1 |
| 53 | BS 501 001 000 | NUT M10 DIN 934 | 1 |
| 54 | BS 502 001 000 | NUT M10 DIN 985 | 2 |
| 55 | MPA 01 070 140 | FRONT WHEEL FORK | 2 |
| 56 | BS 512 001 055 | BOLT M10 X 150 DIN 933 | 2 |
| 57 | MPA 01 070 390 | FRONT WHEEL AXLE | 2 |
| 58 | BW 029 020 100 | FRONT WHEEL 4.00-4 | 2 |
| 59 | MPA 01 070 190 | BRAKE ROD | 1 |
| 60 | BQ 505 010 040 | SAFETY STICKER SPARKPLUG 60X100 | 1 |
| 61 | BQ 501 060 090 | STICKER HOOK ATTACHEMENT | 1 |
| 62 | BS 531 001 000 | WASHER M10 DIN 125 | 3 |
| 63 | BR 910 000 050 | NYLON TOUCH BLOCK | 2 |
| 64 | BB 221 004 250 | STEEL PLUG 3.9 X 25 DIN 7337 | 2 |
| 65 | MPA 01 070 200 | BRAKE | 1 |
| 66 | BV 907 000 020 | SPRING 10 X 1 X 60 | 2 |
| 67 | BB 351 080 725 | KEY 8X7X32 DIN 6885A | 2 |
| 68 | BS 512 001 235 | BOLT M12X35 DIN 933 | 4 |
| 69 | BW 054 060 000 | REAR WHEEL 6,00-9 6PR | 2 |
| 70 | BA 281 504 501 | HUB REAR WHEEL | 2 |
| 71 | MPA 01 070 430 | SPACER | 1 |
| 72 | BB 351 050 515 | KEY 5X5X16 DIN 6885A | 1 |

| | | | |
|----|----------------|--|---|
| 73 | BH 330 600 000 | FLANGE HYDRAULIC ENGINE | 1 |
| 74 | BS 044 600 810 | BOLT M6X14 ISO 7046 | 3 |
| 75 | BS 502 000 600 | SELFLOCKING NUT M6 DIN 985 | 1 |
| 76 | BS 531 000 600 | WASHER M6 DIN 125 | 1 |
| 77 | BS 551 100 646 | EYEBOLT M6X70 /M8 DIN 444 | 1 |
| 78 | BS 535 301 210 | LOCK CUPWASHER M12 DIN 74361 | 8 |
| 79 | BS 512 301 225 | BOLT M12X1.5X25 DIN 933 | 8 |
| 80 | BA 101 104 020 | CHAIN SIMPLEX 3/8"X7/32" 104 LINKS | 1 |
| 81 | BA 151 200 000 | CONNECTING CHAINLINK 3/8"X7/32" | 1 |
| 82 | BA 151 400 000 | CONNECTING CHAIN LINK (1/2) 3/8"X7/32" | 1 |
| 83 | BA 161 011 163 | SPROCKET SIMPLEX 25 TOOTH | 1 |
| 84 | BS 532 006 253 | WASHER M6X25X1.5 | 1 |
| 85 | BS 534 000 600 | LOCKING WASHER M6 DIN 6798 | 1 |
| 86 | BS 512 000 612 | BOLT M6X12 DIN 933 | 1 |
| 87 | MPA 01 070 040 | COVER FOR CHAINTRANSMISSION | 1 |
| 88 | BS 512 001 016 | BOLT M10X16 DIN 933 | 2 |



ELIET SP2000 -- CHASSIS LEFT SIDE

| | | | | | |
|----|-----------------------|-----|---|------|------------|
| NO | MMA-01.070.120 | REV | 1 | DATE | 2003/10/22 |
|----|-----------------------|-----|---|------|------------|

ELIET PARTS MANUAL

SUPER PROF 2000

ASSEMBLY LIST 2

MACHINE RIGHT SIDE

MMA 01 070 120-1

| ITEM | PART NUMBER | DESCRIPTION | QUANTITY |
|------|----------------|--|----------|
| 1 | BR 200 219 038 | SUCKING HOSE | 1 |
| 2 | BT 136 260 820 | INSERT CONNECTOR FOR HOSE 20 X 1/2 | 2 |
| 3 | BT 670 117 290 | HOSE CLAMP 17X29 MM | 2 |
| 4 | BS 512 001 050 | BOLT M10X100 DIN 933 | 2 |
| 5 | BS 501 001 000 | NUT M10 DIN 934 | 2 |
| 6 | BK 181 151 060 | CHOKE CONTROL | 1 |
| 7 | BS 549 014 813 | BOLT M6X16 DIN 7981 | 6 |
| 8 | BM 260 692 541 | THROTTLE CONTROL | 1 |
| 9 | MPA 01 070 280 | SPACER | 1 |
| 10 | BS 502 000 500 | SELFLOCKING NUT M5 DIN 985 | 8 |
| 11 | MPA 01 070 100 | DASHBOARD | 1 |
| 12 | BQ 501 060 030 | STICKER DASHBOARD | 1 |
| 13 | MPA 01 070 360 | WINDOW | 1 |
| 14 | MPA 01 070 050 | DASHBOARD COVER | 1 |
| 15 | MPA 01 070 150 | CONTROL HANDLE BAR INFEED ROLLER | 1 |
| 16 | BA 230 010 800 | BALL JOINT M8 | 2 |
| 17 | BS 501 000 800 | NUT M8 DIN 934 | 9 |
| 18 | BS 512 000 641 | BOLT M6X45 DIN 933 | 2 |
| 19 | BS 531 000 600 | WASHER M6 DIN 125 | 18 |
| 20 | MPA 01 070 310 | CONTROL BRAKE | 1 |
| 21 | MPA 01 070 370 | ROD | 1 |
| 22 | BV 911 000 010 | SPRING DIA 14 X 2 X 16 | 2 |
| 23 | BS 532 006 253 | WASHER M6X25X1.5 | 2 |
| 24 | BS 502 000 600 | SELFLOCKING NUT M6 DIN 985 | 10 |
| 25 | BR 600 130 301 | ANTI VIBRATION BLOCK 30X30B M8X16 70 SHORE | 2 |
| 26 | BS 502 000 800 | SELFLOCKING NUT M8 DIN 985 | 10 |
| 27 | BS 531 000 800 | WASHER M8 DIN 125 | 17 |
| 28 | BS 534 000 800 | LOCKING WASHER M8 DIN 6798 | 6 |
| 29 | BS 512 000 812 | BOLT M8X12 DIN 933 | 2 |
| 30 | BQ 501 060 090 | STICKER HOOK ATTACHEMENT | 1 |
| 31 | MPA 01 070 230 | ENGINE FIXING PLATE | 1 |
| 32 | BS 531 001 000 | WASHER M10 DIN 125 | 11 |

| | | | |
|----|----------------|--|---|
| 33 | BS 502 001 000 | SELFLOCKING NUT M10 DIN 985 | 8 |
| 34 | BQ 505 010 010 | IDENTITY STICKER CE 120X30 | 1 |
| 35 | BQ 501 070 020 | STICKER ELIET SP 2000 640X280 | 1 |
| 36 | BR 900 001 110 | SILENCER | 1 |
| 37 | MPA 01 070 180 | ANVIL | 1 |
| 38 | BS 522 101 030 | BOLT M10X10 DIN 7991 | 4 |
| 39 | MPA 01 070 320 | SUPPORT FOR SILENCER | 1 |
| 40 | MPA 01 010 180 | BELTGUIDE | 2 |
| 41 | BS 512 000 820 | BOLT M8X20 DIN 933 | 4 |
| 42 | MPA 01 070 020 | LEVER | 1 |
| 43 | MPA 01 070 220 | AXLE | 1 |
| 44 | MPA 01 070 400 | ADJUSTABLE HOOK | 2 |
| 45 | BS 554 100 830 | BOLT M8X30 DIN 603 | 2 |
| 46 | MPA 01 070 330 | RETAINER FOR SILENCER | 1 |
| 47 | MPA 01 070 210 | ROD | 1 |
| 48 | BB 011 000 090 | STARLOCK 9MM | 4 |
| 49 | MPA 01 070 080 | REAR SAFETY GUARD | 1 |
| 50 | MPA 01 070 090 | ANTI PROJECTION GUARD | 1 |
| 51 | BS 512 000 616 | BOLT M6X16 DIN 933 | 4 |
| 52 | BR 600 425 170 | RUBBER DAMPER M6X18 D:25 L:17 | 2 |
| 53 | BS 501 000 600 | NUT M6 DIN 934 | 2 |
| 54 | BS 532 008 253 | WASHER M8X25X1.5 | 4 |
| 55 | BV 907 000 010 | SPRING 12 X 1.5 X 16 | 2 |
| 56 | BQ 505 010 070 | SAFETY STICKER (HANDCUTS) 100X80 | 1 |
| 57 | BQ 501 070 010 | STICKER ELIET SP 2000 470X220 | 1 |
| 58 | BS 533 001 000 | LOCKING WASHER M10 DIN 127 | 1 |
| 59 | BS 512 001 020 | BOLT M10X20 DIN 933 | 1 |
| 60 | BR 000 911 120 | GUARD EDGING | 1 |
| 61 | MPA 01 070 070 | CALIBRATING GRATING | 1 |
| 62 | BM 261 300 100 | MUFFLER GUARD | 1 |
| 63 | BQ 505 010 130 | SAFETY STICKER (BELTTRANSMISSION) 100X80 | 1 |
| 64 | BS 512 000 612 | BOLT M6X12 DIN 933 | 4 |
| 65 | BS 533 000 600 | LOCKING WASHER M6 DIN 127 | 4 |
| 66 | BT 122 172 828 | COPPER ELBOW 28MM | 1 |
| 67 | BB 221 005 100 | STEEL PLUG 4.8X10 DIN 7337 | 9 |
| 68 | BA 521 323 600 | BELT XPA 2360 QUAD-POWER | 1 |
| 69 | MPA 01 070 160 | BELT GUARD | 1 |
| 70 | BS 512 000 816 | BOLT M8X16 DIN 933 | 3 |
| 71 | BB 501 310 160 | SETSCREW 3/8"X5/8" | 2 |
| 72 | BB 501 231 600 | TAPER LOCK TL1610-1" | 1 |

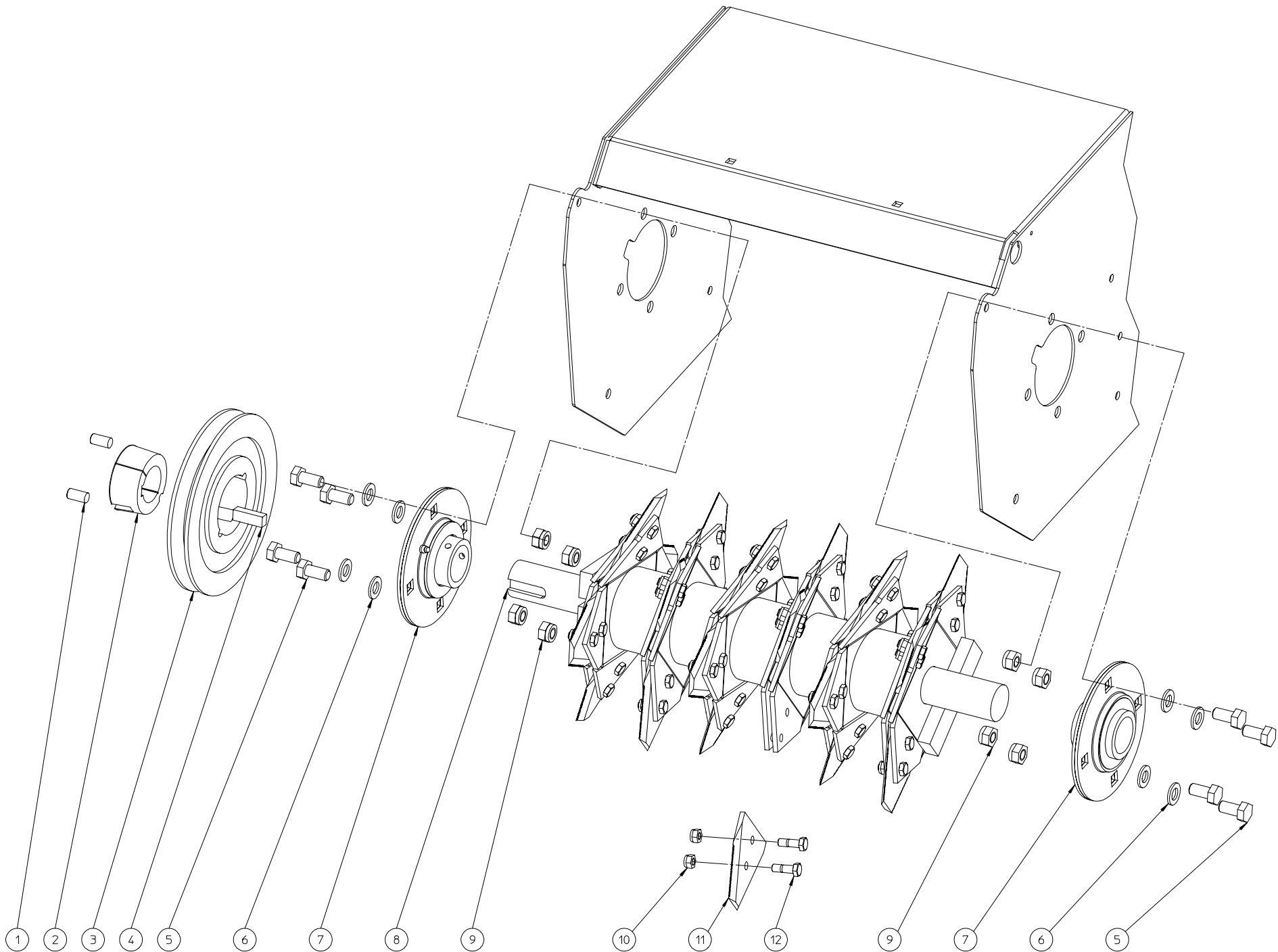
| | | | |
|-----|----------------|---|---|
| 73 | BM 261 300 200 | MUFFLER | 1 |
| 74 | BA 563 712 501 | PULLEY SPB 125 FOR TAPERLOCK TL1610 | 1 |
| 75 | BB 342 064 657 | KEY 6.35X6.35X57 DIN 6880 | 1 |
| 76 | BR 600 130 201 | ANTIVIBRATION BLOCKS 30X20B M8X20 | 1 |
| 77 | BS 747 600 812 | THREAD INSERT TYPE 300 | 1 |
| 78 | ENGINE | SEE BOTTOM OF THE PAGE | 1 |
| 79 | BT 174 150 600 | TERMINAL NUT 3/8" | 1 |
| 80 | BM 261 300 400 | DRAINING PIPE | 1 |
| 81 | BQ 505 010 030 | STICKER MAX 3200RPM 90X25 | 1 |
| 82 | MPA 01 070 340 | ATTACHMENT DISK FOR ELASTIC COUPLING | 1 |
| 83 | MPA 01 070 260 | CONNECTING DISK FOR ELASTIC COUPLING | 1 |
| 84 | BS 521 100 812 | BOLT M8X12 DIN 912 | 1 |
| 85 | BA 201 232 000 | ELASTIC COUPLING ALU FLANGE (ENGINE SIDE) | 1 |
| 86 | BA 201 240 000 | ELASTIC COUPLING RUBBER FLECTOR | 1 |
| 87 | BA 201 220 101 | ELASTIC COUPLING ALU FLANGE (PUMP SIDE) | 1 |
| 88 | MPA 01 070 270 | ROTATION SPEED REFERENCE | 1 |
| 89 | MPA 01 070 300 | ENGINE HOUSING REINFORCEMENT | 1 |
| 90 | BR 600 125 301 | ANTIVIBRATION BLOCK 25X30A M6X10 | 4 |
| 91 | BS 512 000 516 | BOLT M5X16 DIN 933 | 3 |
| 92 | BS 533 000 500 | LOCK WASHER M5 DIN 127 | 3 |
| 93 | MPA 01 070 290 | PUMPSUPPORT | 1 |
| 94 | BR 910 000 060 | SENSOR ADAPTER | 1 |
| 95 | BS 512 001 216 | BOLT M12X16 DIN 933 | 2 |
| 96 | BH 809 012 100 | SEAL 12 MM | 2 |
| 97 | MPA 01 070 240 | HYDRAULIC OIL FILTER ADAPTER | 1 |
| 98 | BH 805 006 150 | COPPER SEAL 6X10X1.5 | 1 |
| 99 | BH 280 108 000 | HYDRAULIC OIL FILTER 1/2" | 1 |
| 100 | BT 670 109 110 | HOSE CLAMP | 1 |
| 101 | BR 200 207 018 | PETROL HOSE | 1 |
| 102 | BR 900 001 240 | RUBBER SPACER | 1 |
| 103 | BQ 501 060 040 | STICKER FUEL TANK | 1 |
| 104 | BH 720 301 066 | RUBBER SEAL FOR FUEL TANK D60 | 1 |
| 105 | BH 720 101 060 | CAP FOR FUEL TANK B60 | 1 |
| 106 | BQ 505 010 050 | SAFETY STICKER (PICTOGRAMS) 60X100 | 1 |
| 107 | BQ 505 010 150 | SAFETY STICKER (KEEP DISTANCE) 60X100 | 1 |
| 108 | BQ 501 060 050 | STICKER HYDRAULIC OIL TANK | 1 |
| 109 | MPA 01 070 110 | FUEL - HYDRAULIC OIL TANK | 1 |
| 110 | BH 720 301 040 | RUBBER SEAL HYDRAULIC OIL TANK D40 | 1 |
| 111 | BH 720 101 040 | CAP FOR HYDRAULIC OIL TANK B40 | 1 |

ENGINE

BM 201 318 001

B&S VANGUARD TWIN

18 HP



ELIET SP2000 -- ROTOR

| | | | | | |
|----|----------------|-----|---|------|------------|
| NO | MMA-01.070.130 | REV | 1 | DATE | 2003/10/22 |
|----|----------------|-----|---|------|------------|

ELIET PARTS MANUAL

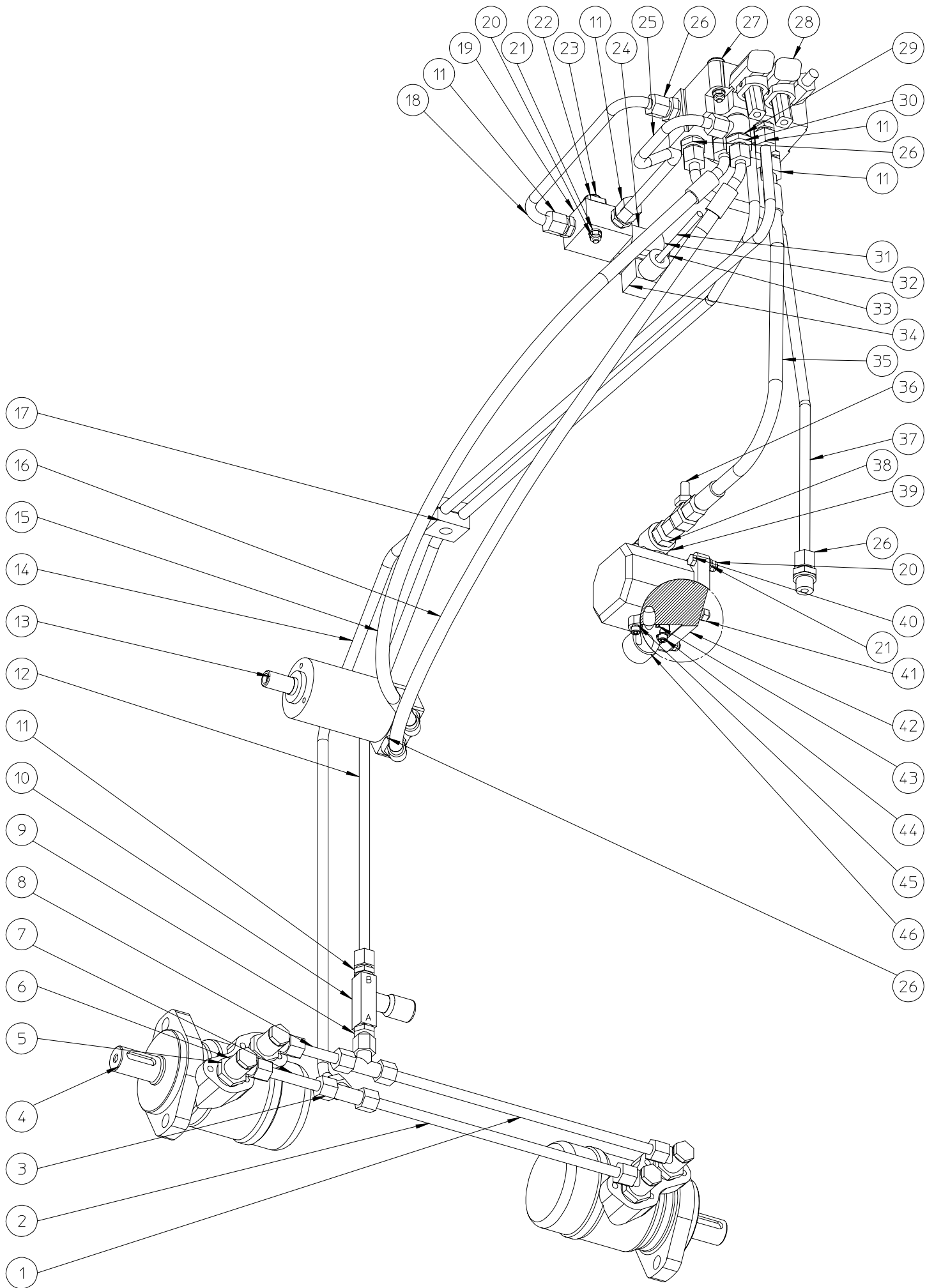
SUPER PROF 2000

ASSEMBLY LIST 3

ROTOR

MMA 01 070 130-1

| ITEM | PART NUMBER | DESCRIPTION | QUANTITY |
|------|----------------|-------------------------------------|----------|
| 1 | BB 501 311 220 | SETSCREW 7/16"X7/8" | 2 |
| 2 | BB 501 154 000 | TAPERLOCK TL2012-40 | 1 |
| 3 | BA 563 719 001 | PULLEY SPB 190 FOR TAPERLOCK TL2012 | 1 |
| 4 | BB 341 121 035 | KEY 12X10X35 DIN 6880 | 1 |
| 5 | BS 512 001 225 | BOLT M12X25 DIN 933 | 8 |
| 6 | BS 531 001 200 | WASHER M12 DIN 125 | 8 |
| 7 | BL 801 604 001 | FLANGE BEARING UCPF-208 | 2 |
| 8 | MPA 01 070 810 | ROTOR | 1 |
| 9 | BS 502 001 200 | SELFLOCKING NUT M12 DIN 985 | 8 |
| 10 | BS 502 000 800 | SELFLOCKING NUT M8 DIN 985 | 48 |
| 11 | BU 101 300 200 | STANDARD STEEL KNIFE | 24 |
| 12 | BS 011 000 827 | BOLT M8X27 DIN931 | 48 |



ELIET SP2000 -- HYDRAULIC SYSTEM

| | | | | | |
|----|-----------------------|-----|---|------|------------|
| NO | MMA-01.070.140 | REV | 1 | DATE | 2003/10/22 |
|----|-----------------------|-----|---|------|------------|

ELIET PARTS MANUAL

SUPER PROF 2000

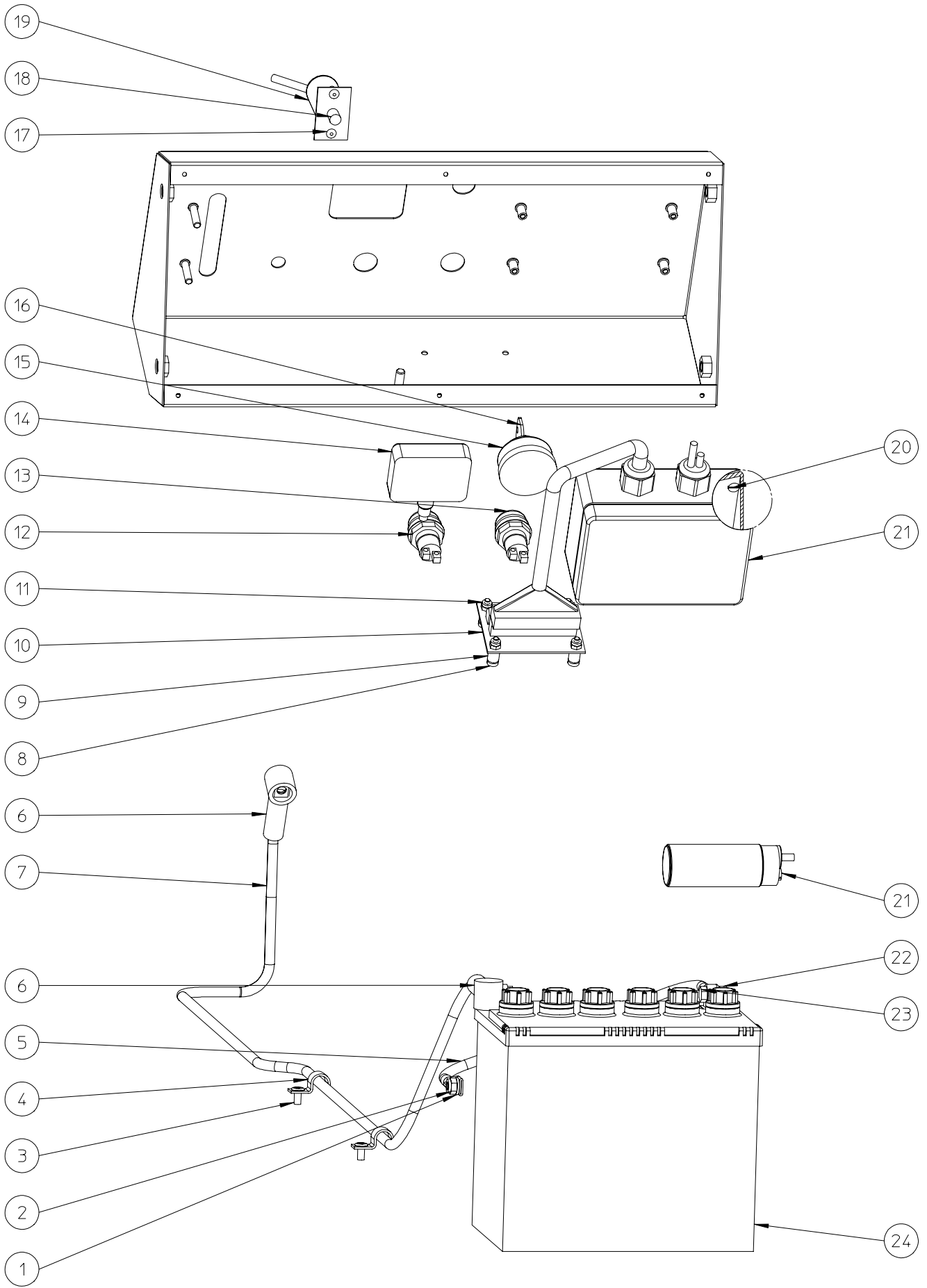
ASSEMBLY LIST 4

HYDRAULIC SYSTEM

MMA 01 070 140-1

| ITEM | PART NUMBER | DESCRIPTION | QUANTITY |
|------|----------------|---|----------|
| 1 | MPA 01 070 530 | HYDRAULIC PIPE 10X317 | 1 |
| 2 | MPA 01 070 520 | HYDRAULIC PIPE 10X301 | 1 |
| 3 | BH 510 011 000 | T-COUPLING 10 L | 2 |
| 4 | BH 331 410 000 | HYDRAULIC ENGINE 100CC | 2 |
| 5 | BH 514 100 804 | REDUCTION STUD MALE/FEMALLE 1/2-1/4 | 4 |
| 6 | BH 513 111 004 | BANJO 10L X 1/4 | 4 |
| 7 | MPA 01 070 510 | HYDRAULIC PIPE 10X87 | 1 |
| 8 | MPA 01 070 500 | HYDRAULIC PIPE 10X71 | 1 |
| 9 | BH 512 611 004 | REDUCER COUPLING 10 X 1/4 | 1 |
| 10 | BH 430 110 400 | FLOW CONTROL VALVE | 1 |
| 11 | BH 509 211 004 | MALE STUD COUPLING 10L X 1/4 | 7 |
| 12 | MPA 01 070 450 | HYDRAULIC PIPE (FORWARD DRIVE) | 1 |
| 13 | BH 331 203 200 | HYDRAULIC ENGINE 32CC | 1 |
| 14 | MPA 01 070 460 | HYDRAULIC PIPE (REVERSE DRIVE) | 1 |
| 15 | BH 551 040 870 | HYDRAULIC HOSE 1/4 X 870 13H | 1 |
| 16 | BH 551 040 890 | HYDRAULIC HOSE 1/4 X 895 12H | 1 |
| 17 | BH 711 020 010 | PIPE CLAMP | 6 |
| 18 | MPA 01 070 490 | RETURN) | 1 |
| 19 | BH 410 001 100 | ELECTRO MAGNETIC VALVE 1/4 | 1 |
| 20 | BS 502 000 600 | SELFLOCKING NUT M6 DIN 985 | 7 |
| 21 | BS 531 000 600 | WASHER M6 DIN 125 | 7 |
| 22 | MPA 01 070 350 | SPACER | 1 |
| 23 | BS 554 100 642 | BOLT M6X50 DIN 603 | 1 |
| 24 | BH 410 001 300 | SOLINOID 12 VDC | 1 |
| 25 | MPA 01 070 470 | HYDRAULIC PIPE (ELECTRO MAGNETIC VALVE INPUT) | 1 |
| 26 | BH 509 211 006 | MALE STUD COUPLING 10L X 3/8 | 5 |
| 27 | BS 554 100 641 | BOLT M6X45 DIN 603 | 2 |
| 28 | BH 400 006 000 | HYDRAULIC VALVE Y8 | 1 |
| 29 | BH 513 011 004 | BANJO 10L X 1/4 | 1 |
| 30 | BH 509 221 018 | MALE STUD COUPLING 10L X M18 | 1 |
| 31 | BE 092 021 701 | WIRE | 1 |
| 32 | BN 760 120 220 | ALU NUT 1/4 | 1 |

| | | | |
|----|----------------|--|---|
| 33 | BH 410 001 200 | ELECTRO MAGNETIC VALVE SLIDE 1/4 | 1 |
| 34 | BH 410 001 400 | CONNECTOR | 1 |
| 35 | BH 551 040 440 | HYDRAULIC HOSE 1/4 X 445 (PUMP PRESSURE) | 1 |
| 36 | BH 563 000 100 | MANOMETER COUPLER 10L X M16X2 | 1 |
| 37 | MPA 01 070 480 | HYDRAULIC HOSE (PUMP RETURN) | 1 |
| 38 | BH 512 631 006 | REDUCER COUPLING 10 X 3/8 | 1 |
| 39 | BH 281 001 100 | ELBOW COUPLING 30MM 3/8 | 1 |
| 40 | BS 512 000 625 | BOLT M6X25 DIN 933 | 4 |
| 41 | BS 501 000 700 | NUT M7 DIN 934 | 1 |
| 42 | BH 210 103 100 | HYDRAULIC PUMP 3.1CC | 1 |
| 43 | BH 802 015 250 | O-RING Ø25 | 2 |
| 44 | BS 512 100 420 | BOLT M5X20 DIN 912 | 6 |
| 45 | BS 533 000 500 | LOCKING WASHER M5 DIN 127 | 6 |
| 46 | BH 281 001 200 | ELBOW COUPLING 30MM 1/2 | 1 |



ELIET PARTS MANUAL

SUPER PROF 2000

ASSEMBLY LIST 5

ELECTRICAL SYSTEM

MMA 01 070 150-1

| ITEM | PART NUMBER | DESCRIPTION | QUANTITY |
|------|----------------|----------------------------------|----------|
| 1 | BS 531 000 600 | WASHER M6 DIN 125 | 1 |
| 2 | BS 502 000 600 | SELFLOCKING NUT M6 DIN 985 | 1 |
| 3 | BB 221 005 100 | STEEL PLUG 4.8 X 10 DIN 7337 | 2 |
| 4 | BE 043 200 100 | CABLE CLIP | 2 |
| 5 | BE 090 181 311 | BATTERY CABLE- TO GROUND | 1 |
| 6 | BR 701 010 150 | TERMINAL COVER | 2 |
| 7 | BE 090 281 031 | BATTERY CABLE - TO SOLINOID | 1 |
| 8 | BS 541 000 420 | BOLT M4X20 DIN 84 | 4 |
| 9 | BR 111 041 000 | NYLON WASHER 8X4X10 | 4 |
| 10 | BE 700 011 000 | CONNECTING TERMINAL PRINT | 1 |
| 11 | BS 502 000 400 | SELFLOCKING NUT M4 DIN 985 | 4 |
| 12 | BE 530 040 120 | GREEN LIGHT | 1 |
| 13 | BE 530 030 120 | RED LIGHT | 1 |
| 14 | BE 412 730 400 | MAINTENANCE METER | 1 |
| 15 | BM 260 692 318 | IGNITION SWITCH | 1 |
| 16 | BM 260 691 959 | IGNITION KEY | 1 |
| 17 | BB 221 104 100 | ALUMINIUM PLUG 3.9 X 10 DIN 7337 | 2 |
| 18 | BE 120 110 500 | SAFETY SWITCH | 1 |
| 19 | BR 020 622 045 | PLASTIC COVER D:25X45 | 1 |
| 20 | BS 541 000 410 | BOLT M4X10 DIN 84 | 4 |
| 21 | BE 700 010 000 | ABM POWER CONTROL | 1 |
| 22 | BS 501 000 600 | NUT M6 DIN 934 | 2 |
| 23 | BS 512 000 620 | BOLT M6X20 DIN 933 | 2 |
| 24 | BE 240 120 240 | BATTERY 12V 24AH | 1 |

SABRE ITALIA *di Cademartiri Allan & C. S.n.c.*

Via Aldo Moro, 45 – C.P. 103 – 36033 ISOLA VICENTINA (VI) ITALIA

Tel. 0444 977655 r.a. – Fax 0444 977200 – E-mail info@sabreitalia.com – <http://www.sabreitalia.com>

P.I. IT00498100247 - R.I. VI/116-7564 - R.E.A. VI132452 - CARIVERONA BANCA S.p.A. ISOLA VIC.NA - ABI 06355 - CAB 60430 - c/c 249-5-52